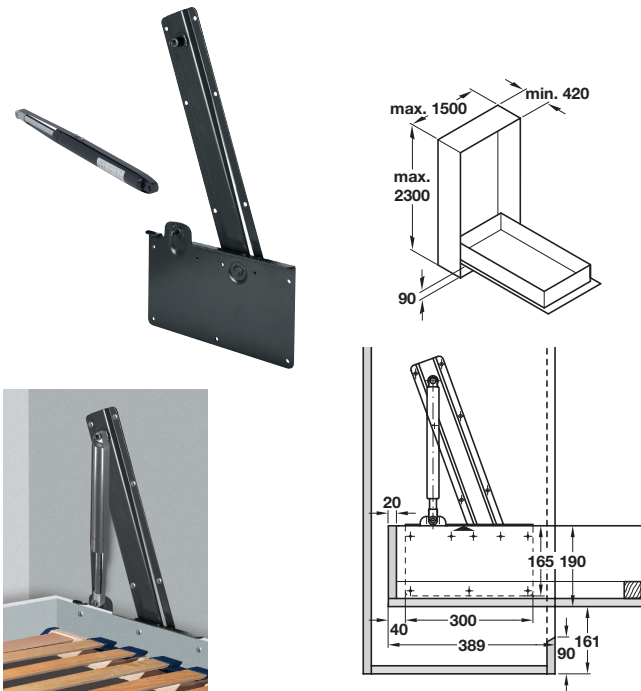


Bed fitting set



- > For construction of foldaway beds according to customers own requirements
- > **Bed fitting set includes:**
 - 1x Pair folding fittings with pivot bearings and positioning bolts for gas pistons
 - 2x Securing brackets
 - Fixing materials and detailed installation instructions
- > Powder coated steel
- > Order qty: 1 set/pc

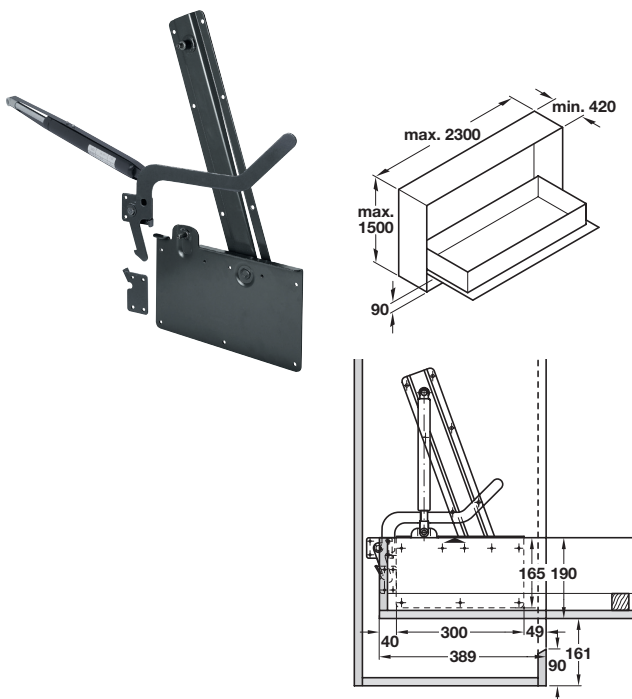


Bed fitting set	Cat. No.	
Anthracite (RAL 9011)	271.95.203*	
Gas piston	Cat. No.	
Bed weight	Pushing force	
50 kg	900 N	271.99.220
60 kg	1100 N	271.99.266
70 kg	1300 N	271.99.300
80 kg	1500 N	271.99.346
90 kg	1700 N	271.99.382
100 kg	1900 N	271.99.410



Gas pistons must be ordered separately depending on the weight of the bed. 2 gas pistons are required per bed fitting

Bed fitting set



- > Side mounted foldaway beds according to customers own requirements
- > **Bed fitting set includes:**
 - 1x Pair folding fittings with pivot bearings and positioning bolts for gas pistons
 - 2x Securing brackets
 - 1x Safety lever with stop plate
 - Fixing materials and detailed installation instructions
- > Powder coated steel
- > Order qty: 1 set/pc



Bed fitting set	Cat. No.	
Anthracite (RAL 9011)	271.95.204*	
Gas piston	Cat. No.	
Bed weight	Pushing force	
40 kg	400 N	271.99.122
50 kg	500 N	271.99.140
60 kg	600 N	271.99.168
80 kg	800 N	271.99.202



Gas pistons must be ordered separately depending on the weight of the bed. 2 gas pistons are required per bed fitting

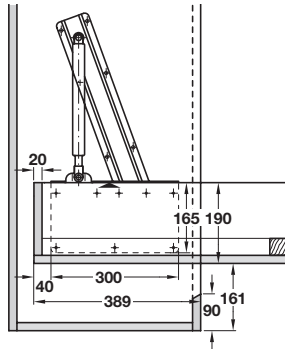
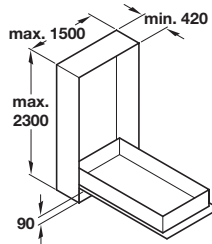


- > Bed weight is total weight including bed, mattress and bedding
- > It is essential for foldaway beds to be secured against tipping according to EN 1129. Floors should be checked for suitability. 2x securing brackets are included with each set



securing bracket

Bed fitting set



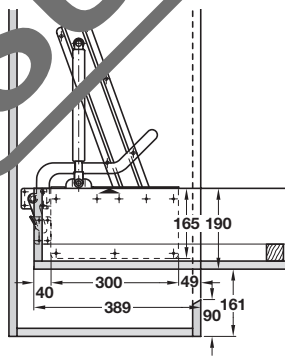
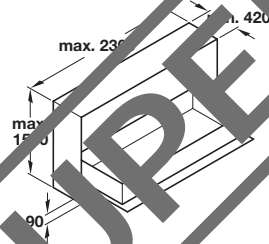
- > For construction of foldaway beds according to customers own requirements
- > Set includes:
 - 1x Pair folding fittings with pivot bearings and positioning bolts for gas pistons
 - 2x Securing brackets
 - Fixing materials and detailed installation instructions
- > Powder coated steel
- > Order qty: 1 set/pc

Bed fitting set		Cat. No.
Anthracite (RAL 9011)		271.95.203
Gas piston		Cat. No.
Bed weight	Pushing force	
50 kg	900 N	271.99.220
60 kg	1100 N	271.99.266
70 kg	1300 N	271.99.300
80 kg	1500 N	271.99.346
90 kg	1700 N	271.99.382
100 kg	1900 N	271.99.410



Gas pistons must be ordered separately depending on the weight of the bed. 2 gas pistons are required per bed fitting

Bed fitting set



- > Side mounted foldaway beds according to customers own requirements
- > Set includes:
 - 1x Pair folding fittings with pivot bearings and positioning bolts for gas pistons
 - 2x Securing brackets
 - 1x Safety lever with stop plate
 - Fixing materials and detailed installation instructions
- > Powder coated steel
- > Order qty: 1 set/pc

Bed fitting set		Cat. No.
Anthracite (RAL 9011)		271.95.204
Gas piston		Cat. No.
Bed weight	Pushing force	
40 kg	400 N	271.99.122
50 kg	500 N	271.99.140
60 kg	600 N	271.99.168
80 kg	800 N	271.99.202



Gas pistons must be ordered separately depending on the weight of the bed. 2 gas pistons are required per bed fitting



- > Bed weight is total weight including bed, mattress and bedding
- > It is essential for foldaway beds to be secured against tipping according to EN 1129. Floors should be checked for suitability. 2x securing brackets are included with each set



securing bracket