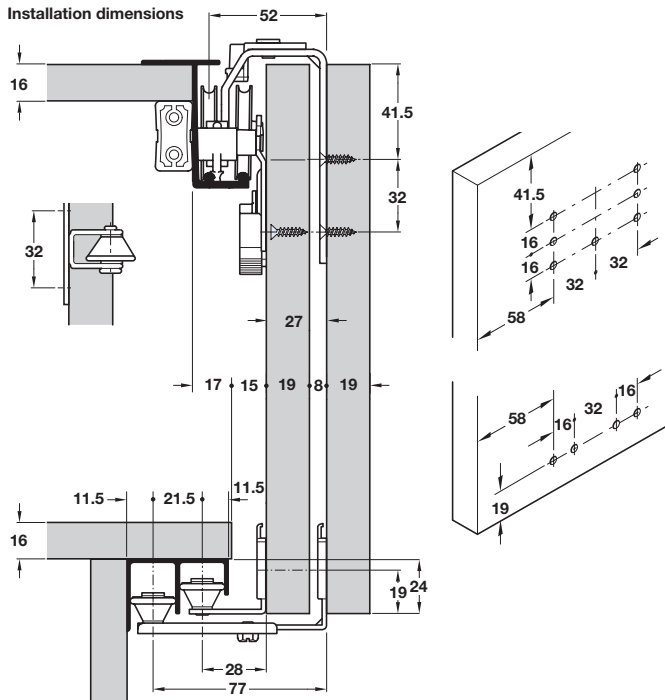
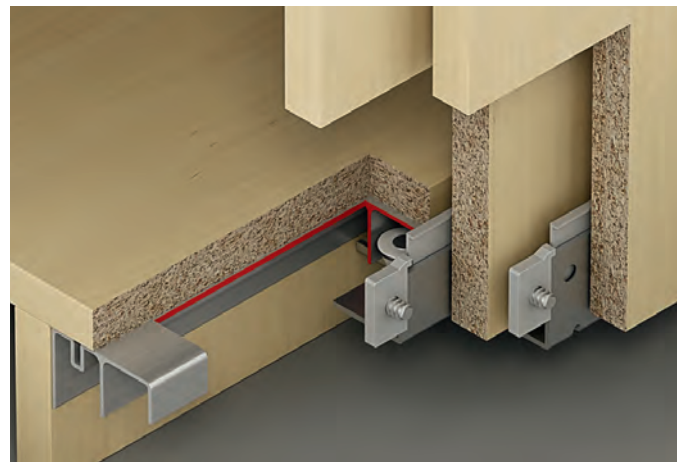
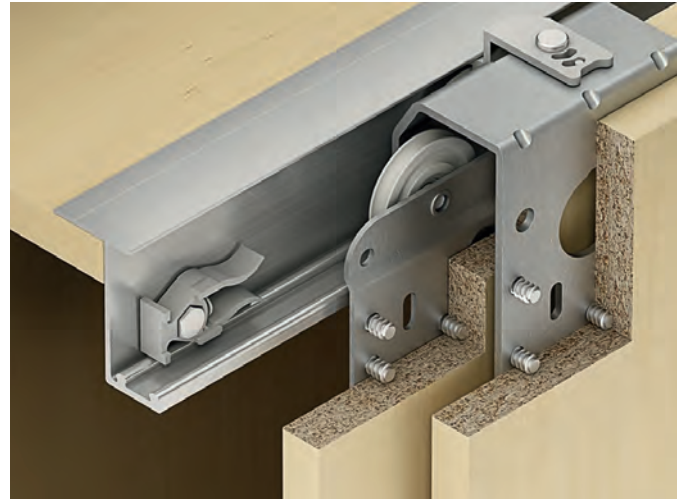


# SLIDO CLASSIC 50 VF P SLIDING DOOR SYSTEM

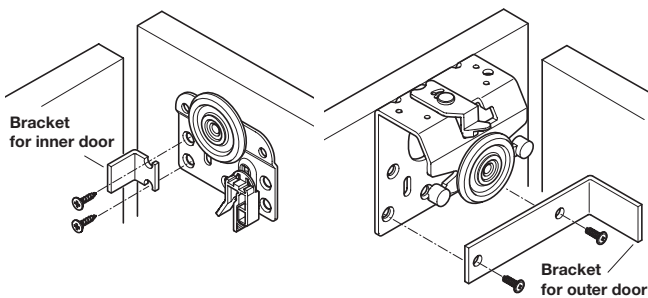
Good quality system with concave running gears for excellent running characteristics, suitable for residential, commercial and industrial applications.

- > Slido Classic 50 VF P
- > Range:
  - Max door weight **50 kg**
  - For door thickness **18-21** or **22-25 mm**
- > Fitting instructions included
- > Soft close Smuso, for 18-21 mm door thickness shown on page **23** (for two door fitting set only)



Sliding Door Fittings for Furniture: Large Cabinet and Wardrobe Doors

## Follower bracket



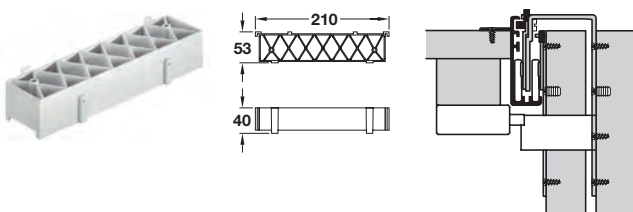
- > For use with Smuso CD mechanism
- > For door thickness **18-21 mm** only
- > Bracket for inner door, 19 x 19.5 x 22.5 mm
- > Bracket for outer door, 25 x 86 x 44.5 mm
- > Galvanized steel
- > Order qty: 1 pc



**!** Note: A spacer plate must be installed between top panel and soft close mechanism. The left door must always be the outer door

	Cat. No.
For inner door	405.11.225
For outer door	405.11.226

## Spacer plate



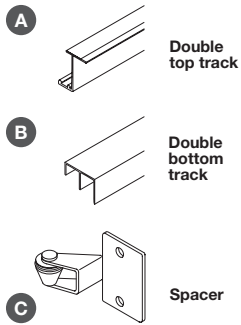
- > For screw fixing underneath cabinet top
- > For left or right hand use
- > Grey plastic
- > Order qty: 1 pc



	Cat. No.
Spacer plate	405.11.401

TCH AH 2019, © Häfele U.K. Ltd 2019. Dimensional data not binding. We reserve the right to alter specifications without notice.

## Slido Classic 50 VF P tracks and spacer

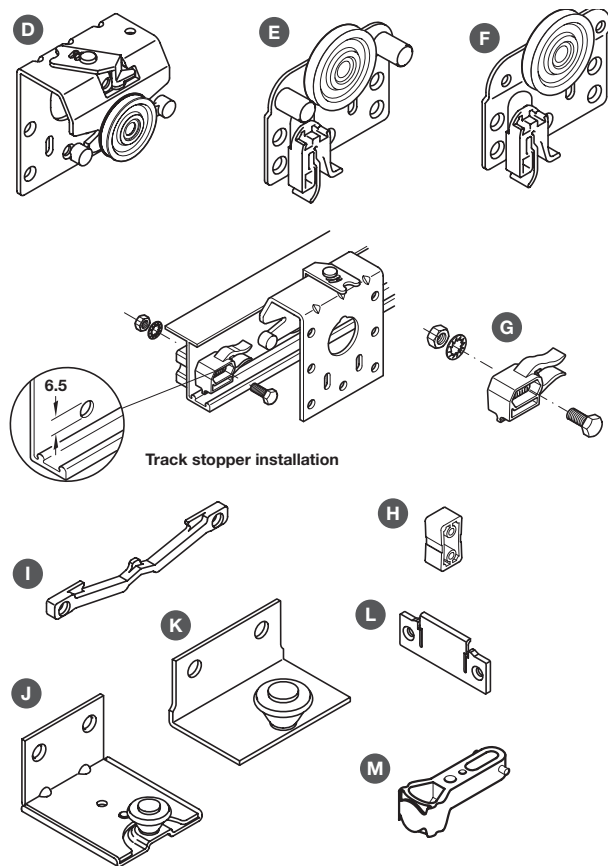


- > Order tracks and spacer separately
- A Double top running track, for screw fixing, silver coloured anodised aluminium
- B Double bottom running track, for screw fixing, silver coloured anodised aluminium
- C Spacer, for screw fixing to rear door, distance 20 mm, galvanized steel with plastic roller



Item	2.5 m	3.5 m
A Double top running track	400.52.962	400.52.963
B Double bottom running track	400.52.954	400.52.955
Additional items	Order qty.	Cat. No.
C Spacer	1 pc	400.60.000

## Slido Classic 50 VF P fitting set for 2 or 3 doors



- > Fitting set includes:
- D Running gear, for outer door, plastic roller with ball bearing, with pre-mounted anti-derailment device, galvanized steel
- E Running gear, for inner door, with bolts, plastic roller with ball bearing, galvanized steel
- F Running gear, for inner door, without bolt, plastic roller with ball bearing, galvanized steel
- G Track stopper, for mounting in double top running track, grey plastic
- H Stabilising block, for double top running track, grey plastic
- I Centre door stopper, grey plastic
- J Bottom guide, for outer door, with plastic guide, galvanized steel
- K Bottom guide, for inner door, with plastic guide, galvanized steel
- L Clip for bottom guide, plastic
- M Bottom track stopper, white plastic

> Order qty: 1 set

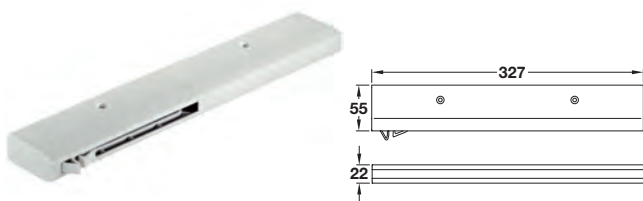


Item	For 2 doors	For 3 doors
D Running gear, for outer door	2 pcs	2 pcs
E Running gear, for inner door	1 pc	2 pcs
F Running gear, for inner door	1 pc	2 pcs
G Track stopper	2 pcs	2 pcs
H Stabilising block	2 pcs	2 pcs
I Centre door stopper	-	1 pc
J Bottom guide, for outer door	2 pcs	2 pcs
K Bottom guide, for inner door	2 pcs	4 pcs
L Clip for bottom guide	4 pcs	6 pcs
M Bottom track stopper	2 pcs	2 pcs
For 18-21 mm door thickness	400.51.190	400.51.191
For 22-25 mm door thickness	400.51.197	400.51.198



Screw fix running gear E with the bolts always on the outside, towards the side panel

## Smuso CD soft closing mechanism



- > For max. sliding door weights **50 kg**
- > For two door fitting set only
- > For screw fixing underneath or above cabinet top
- > For left or right hand use
- > Light grey plastic
- > Order qty: 1 pc (1 pc required per door)



Order follower bracket and spacer plate separately, shown on page 22

For door weight	Cat. No.
Up to 50 kg	405.11.107