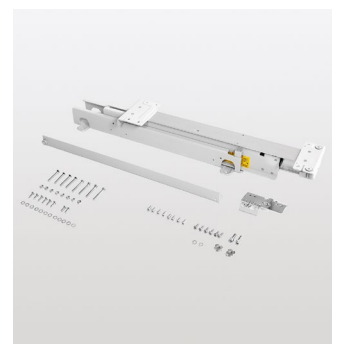
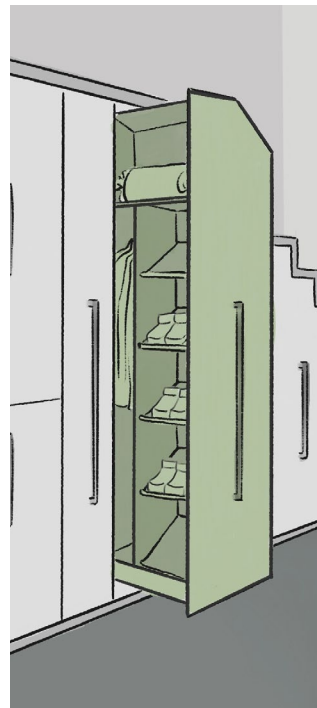


# Larder pull-out peka Forte

Basic pull-out with a load capacity of up to 340 kg for custom units made of wood



## Heavy loads sorted

peka Forte is a high-quality, flexible runner system designed to handle heavy loads up to 340 kg. It transforms challenging situations into organised storage space – ideal for creative pull-out units in private, public or industrial applications. Eleven length variants and various installation options with concealed technology offer maximum design freedom. The durable, quiet runner with uniform soft opening and closing ensures a high level of user comfort. peka Forte can be installed quickly and precisely, as it consists of only four components, features front adjustment and is compatible with automatic screwdrivers.

## Product data

<b>Integrated Softclose</b>	no
<b>Integrated Softopen</b>	no
<b>Type</b>	380/430/480/530/580/630/680/780/ 880/980/1080
<b>Colour</b>	light grey
<b>Load capacity</b>	0-170/340 kg
<b>Interior width (LB)</b>	124/252-568/768 mm
<b>Interior depth min. (LT)</b>	385/435/485/535/585/635/685/785/ 885/985/1085 mm
<b>Interior height (LH)</b>	400-2400 mm

## Product features

- Design freedom thanks to various installation options and concealed technology
- Load capacity of up to 340 kg
- 11 length variants
- Mounted on the base and at the top, making it suitable for all cabinet widths
- Connector set for dual runners guarantees parallel installation
- Quick installation thanks to pre-assembled components
- Front adjustment possible
- Suitable for automatic screwdrivers

## Availability

The official launch will be in October 2025.



Assembly video



Webpage